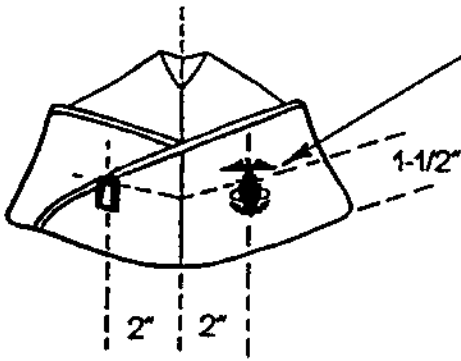


# FEMALE MALE GARRISON CAPS

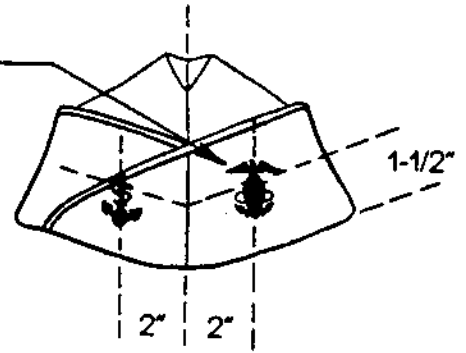
FIGURE 6

Officers  
Warrant Officers

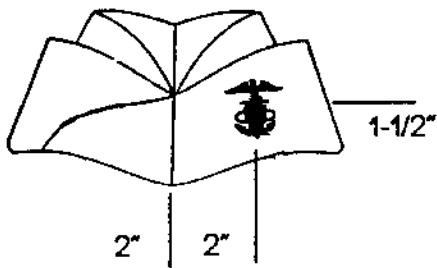


Midshipmen

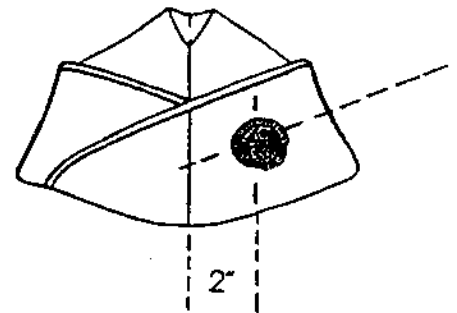
NSCC Miniature  
Cap Device



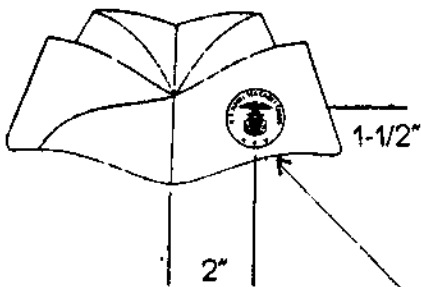
Enrolled Instructor



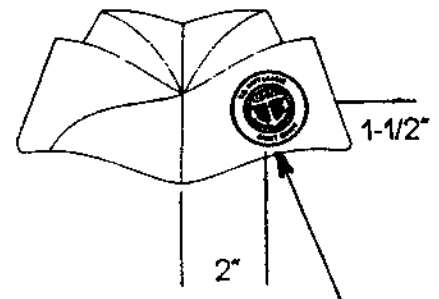
NSCC CPO



## FEMALE CADET BLUE CAPS



NSCC Cap  
Device (small)



NLCC Female Cap  
Device (small)