



United States Naval Sea Cadet Corps

2300 WILSON BOULEVARD - ARLINGTON, VIRGINIA 22201-3308 - TELEPHONE (703) 243-6910
FAX (703) 243-3985



7 February 1997

NSCC ACTION LETTER 2-97

Subj: CHANGE #2 TO NSCC/NLCC UNIFORM REGULATIONS 1992

Ref: (a) NSCC/NLCC Uniform Regulations

End: (1) Civilian Attire, Page 7
(2) NLCC Uniform, Page 19
(3) Special Headgear, Appendix 1, Page 1-6
(4) Appendix 1, Page 1-15

1. **Purpose:** To issue Change #2 to reference (a), NSCC/NLCC Uniform Regulations.
2. **Background:** Since reference (a) was issued several changes to NSCC policy regarding uniforms have been approved. These changes are now being consolidated into this single change to NSCC/NLCC Uniform Regulations.
3. **Discussion:** NSCC personnel must set and maintain the very highest standards of smartness in uniform appearance. The military image reflected by attention to detail in wearing the uniform is a key element in the public image of the entire Naval Sea Cadet Corps. NSCC personnel are authorized to wear appropriately modified versions of the uniforms prescribed in U.S. Navy Uniform Regulations, including those superseded Navy uniforms made available through the DRMO system and other sources. The modifications will be such as to clearly identify the wearer as a member of the Naval Sea Cadet Corps. To the extent possible, NSCC personnel will conform to the uniform policy established by the cognizant Navy Area Command Authority.
4. **Action:** The following pen and ink, and page changes to reference (a) are effective immediately. Ensure the change is entered promptly and recorded on the Record of Changes inside the front cover of NSCC/NLCC Uniform Regulations.
 - a. Chapter 1, Page 6: Insert enclosure (1), new Page 7 and re-number pages sequentially.
 - b. Chapter 2, Section 2104-NSCC SHOULDER FLASH: Insert the word "sweaters" in line 5, after the word "coats" to read ".....of all uniform coats, sweaters, outer garments (except raincoats),.....".
 - c. Chapter 4, Page 13: Insert the following new paragraph 2: SPECIAL UNIFORMS -
"The only special uniforms authorized for Naval Sea Cadet Corps personnel are utility greens/battle dress uniforms (BDU)/cammies for specified units and special circumstances as follows: units designated NSCC Construction Battalion Units; units that consistently drill and train with an active duty counterpart that normally wears this uniform; other units when, and only

when, actually participating in a field exercise. These units may authorize their personnel to wear the utility uniform instead of dungarees. (See Table Page 20) Units will not wear this uniform to public events or in parades unless marching in actual formation with an active duty or reserve counterpart when this uniform is being worn". Battle dress uniforms (BDU/cammies) are not authorized for NLCC cadets.

d. Chapter 4, Table of Authorized Naval Sea Cadet Uniforms, Pages 14, 15, 16 & 17: Under column titled Summer Khaki, for black shoes, modify to read "black/brown"; in the notes section where there is a reference to the Navy khaki garrison cap, modify to read "The navy khaki/blue garrison cap as appropriate, is optional; page 16, Note 3 under NSCC Enrolled Instructor (Female), replace the comma with a period after optional, and delete the phrase "instructors wear no insignia on the beret".

e. Chapter 4, Table of Authorized Naval Sea Cadet Uniforms, Page 18: For NSCC Cadet (Male) add Note (2) and for NSCC Cadet (Female add Note (3) referring to the hat as follows: "The navy blue garrison hat is optional but uniformity of unit is paramount".

f. Chapter 4, Table of Authorized Naval Sea Cadet Uniforms, Page 19: substitute enclosure (2) as new page 19.

g. Chapter 4, Table of Authorized Naval Sea Cadet Uniforms, Page 20: Delete "Cadet" from the 3rd line of the page title; replace "Utility Green" or "Olive Green/Drab" where shown with "Battle Dress Uniform (BDU)/Cammie"; in column one under "Article" and just below "Rate insignia" add "Officer rank device" with the description in column two of "Bright metal devices except when in an operational status dictated by appropriate authority"; delete the second line of Note 2 which states that Chief Petty Officers are not authorized to wear the utility uniform.

h. Appendix 1, Page 1-4: in Figure 5 under illustration showing berets for female officers, warrant officers, midshipmen and instructors, delete the phrase "instructors will not wear device".

i. Appendix 1, page 1-6: substitute enclosure (3) as new Page 1-6.

j. Appendix 1: Insert enclosure (4), new Appendix 1, Page 1-15 (civilian attire figure)

5. **Cancellation**: This Action Letter is canceled upon entering the required changes in reference (a).



A. J. Kreiser

Distribution:

NSCC/NLCC Unit Commanding Officers
NSCC Regional/Associate Regional Directors
NSCC Field Representatives
NSCC Committee Chairman

1408 - CIVILIAN ATTIRE

1. GENERAL.--In order to provide a special identity for officers, instructors and non-uniformed instructors who for one reason or another are unable to wear the officer style uniform, specific civilian attire as described below may be worn. The purpose in authorizing this civilian attire is not to replace the officer style uniform but to offer an additional alternative for wear under certain circumstances. Officer style uniforms are not usually available through excess property disposal outlets and must be purchased by the individual at his or her own expense. Distinctive civilian attire provides a lower cost alternative and normally would be available immediately upon affiliation. Those personnel who for one reason or another are unable to meet the physical requirements of the program also may wear this civilian attire.

2. PRESCRIBED ATTIRE.--The following civilian attire is authorized for non-uniformed instructors and officers or instructors during appropriate occasions. It is not intended to replace the NSCC Navy officer style uniform but is being authorized as distinctive civilian attire that will give a special identity to members of the Naval Sea Cadet Corps. It shall not be worn in lieu of the Navy officer style uniform during drill periods, summer training or other occasions when the officer style uniform is prescribed. It may be worn during appropriate social occasions and at other times as determined by the Commanding Officer. Non-uniformed instructors are strongly encouraged to wear the prescribed civilian attire and officers and uniformed instructors may wear it for appropriate occasions. The civilian uniform attire consists of the following:

a. Gray or khaki slacks/skirt with cotton shirt/blouse, white/heather for summer, navy

Blue for winter.

b. Shirt/blouse will have the NSCC or NLCC flash, as appropriate, depending on the type unit to which assigned, over the left pocket as shown in Appendix 1, Page 1-15.

c. Blue blazer is optional and may be worn for appropriate informal occasions. The blazer may be worn with a cotton shirt/blouse or with a dress shirt/blouse and neckwear depending on the situation and individual preference. A pocket name tag may be worn with the blazer.

NLCC CADET (MALE)

<u>Article</u>	<u>Standard</u>	<u>Working</u>
Shirt	White (short/long sleeve with NLCC Flashes and rate insignia); Black (optional for winter)	Dungaree (light blue chambray or similar material)
Trousers	Black (straight legs, no cuffs)	Dungaree (or similar "blue jean" material)
Belt	Black (silver tab)	Black (silver tab)
Socks	Black	Black
Shoes	Black	Black (Note 2)
Sweater	Black/Dark Blue	Black/Dark Blue (for cold weather)
Hat	White (standard Navy white hat)	White or optional blue ball cap with NLCC Flash
Insignia	NLCC (single NLCC Flash on left shoulder only)	NLCC (single NLCC Flash on left shoulder only)
Jacket	Peacoat	Blue Utility Jacket

NLCC CADET (FEMALE)

<u>Article</u>	<u>Standard</u>	<u>Working</u>
Shirt/Blouse	White (short/long sleeve with NLCC Flashes and rate insignia) Black (optional for winter)	Dungaree (light blue chambray or similar material)
Trousers	Black	Dungaree (or similar "blue jean" material)
Skirt	Black (optional)	
Belt	Black (silver tab)	Black (silver tab)
Socks	Black (female cadets in skirts wear flesh-toned hose)	Black
Shoes	Black	Black (Note 2)
Sweater	Black/Dark Blue	Black/Dark Blue (for cold weather)
Hat	Garrison (standard Navy blue) (Note 4)	Garrison or optional blue ball cap with NLCC Flash (Note 4)
Insignia	NLCC (single NLCC Flash on left shoulder only)	NLCC (single NLCC Flash on left shoulder only)
Jacket	Peacoat	Blue Utility Jacket

- NOTE:**
1. Uniformity within the unit is paramount; shirts and trousers are available at most department stores at a reasonable cost.
 2. When engaged in athletics or working on or around boats, cadets may wear white socks with nonskid athletic shoes.
 3. As an option to the above uniforms, the Navy blue and white dress/undress jumper uniforms may be worn by NLCC cadets. All unit personnel must maintain uniformity, i.e., all cadets must wear either the NLCC standard uniform above or the dress/undress jumper style. NLCC unit/company Commanding Officers must keep in mind that the cost of tailoring jumper uniforms to properly fit the younger and smaller NLCC cadets may present a financial burden that cannot be borne by the individual cadet. This should not be a deterrent to allowing the young cadet to enroll in the NLCC program.
 4. The NLCC small cap device is worn as described in figure 6, Appendix 1, Page 1-5.

**SPECIAL UNIFORM
UTILITY GREEN WORKING
NSCC CADET MALE/FEMALE UNIFORMS
FOR
NSCC CONSTRUCTION BATTALION UNITS**

ARTICLE	UTILITY GREEN WORKING UNIFORM
Shirt	Olive Green
Trousers	Olive Green
Belt	Black(blackened tip
Buckle	Blackened
Cap	Olive Green (starched & blocked)(1)
Shoes	Black Combat boots
Insignia	NSCC Iron-on for Cap, Olive Drab Flashers for shirt
Rate insignia	Blackened Navy collar devices for right collar point(2)
ID Markings	NSCC (1)

NOTES

1 - ID Markings on Utility Green Uniforms:

Size: 3/4" black block letters on a 1" wide olive green tape

Shirt: Surname will be sewn above and flush with the top of wearer's right pocket
Tape containing NSCC will be sewn above and flush with the top of wearer's left shirt pocket
NSCC Flashers Olive Drab on both sleeves

Trousers: Tape containing the wearer's surname will be sewn above and flush with the top of the right rear trouser pocket

Cap: U.S. Naval Sea Cadet Iron-on will be trimmed to fit centered in the front above the bill. (Figure 7, Appendix 1-6)

**2 - The Petty Officer devices are worn only on the right collar point.
NSCC Chief Petty Officers are not authorized to wear the utility uniform.**

SPECIAL HEADGEAR

Figure 7

NSCC



NLCC



Construction Battalion Cap



Olive Drab/BDU/Cammie

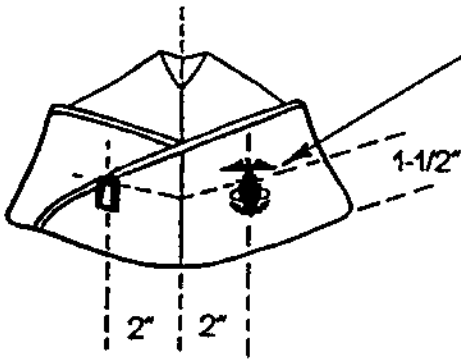
Iron-on Flash

- Note:**
1. Cadets are authorized to wear the NSCC/NLCC ball cap/command cap in lieu of the white hat when dungarees are prescribed. Officers, instructors and midshipmen may wear the ball cap when engaged in a working/training environment involving cadets.
 2. Ball caps shall be a dark blue color made of durable fabric that reflects and complements a smart, neat appearance. Ball caps are not part of the dress uniform and shall not be worn on any occasion with this apparel.
 3. Ball caps shall be appropriately identified with the NSCC insignia (yellow on blue field), NLCC insignia (white on blue field) applied by a silk screen/puff print process on the front with the unit name centered below in sans serif (arial/helvetica block lettering) as shown above. The flash is 2 ½ inches high in the center and 3 ½ inches at the widest tip.

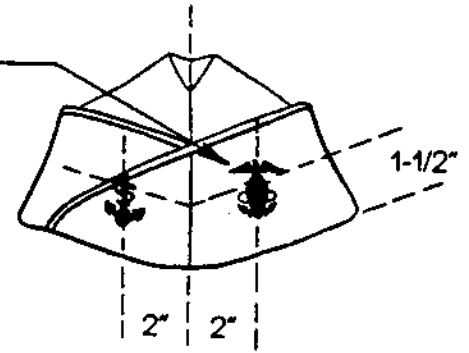
FEMALE MALE GARRISON CAPS

FIGURE 6

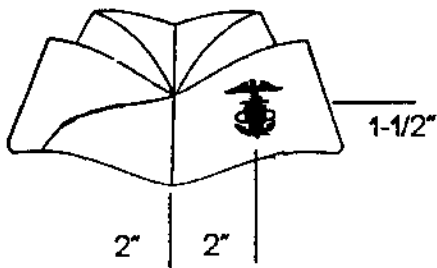
Officers
Warrant Officers



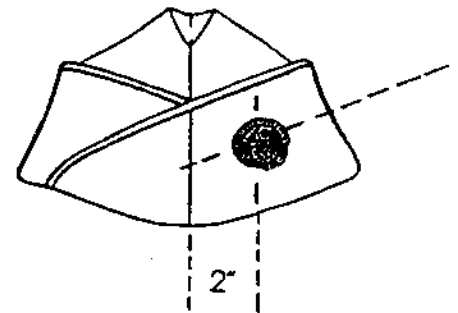
Midshipmen



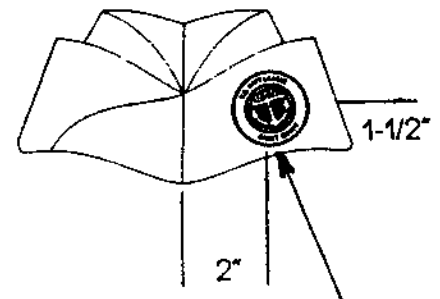
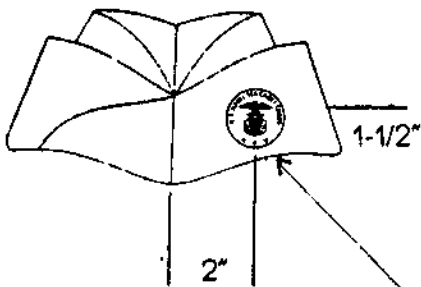
Enrolled Instructor



NSCC CPO



FEMALE CADET BLUE CAPS



NSCC Cap
Device (small)

NLCC Female Cap
Device (small)



ATTACHMENT 1